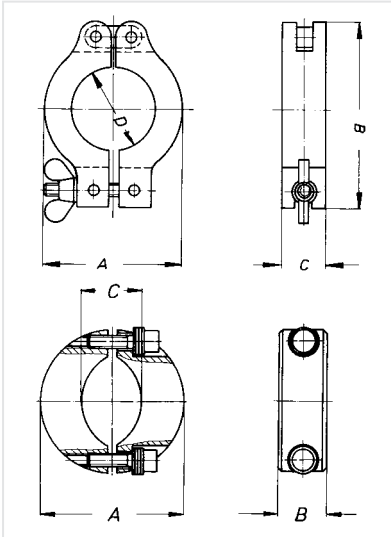


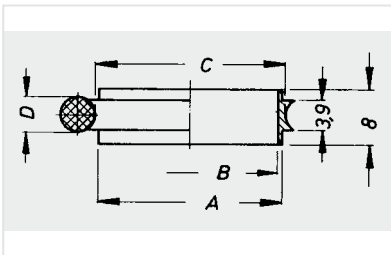
SMALL-FLANGE COMPONENTS

Dimensions in millimeters



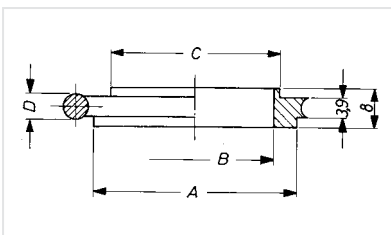
CLAMPING RINGS FOR SMALL FLANGE KF

Size	A	B	C	D	Order-no.
made of aluminum					
KF DN 10/16	45	62	16	22	660000
KF DN 20/25	55	73	16	32	660001
KF DN 32/40	70	90	16	47	660002
KF DN 50	95	120	25	63	660003
made of stainless steel					
KF DN 10/16	52	18	23		660010
KF DN 20/25	62	18	32		660011
KF DN 32/40	80	18	47		660012
KF DN 50	112	20	62		660013



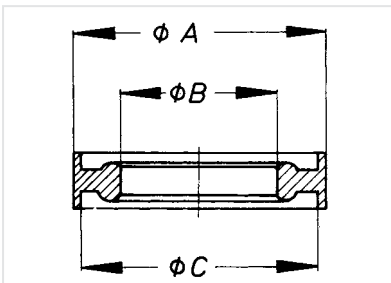
CENTERING RINGS FOR SMALL FLANGE KF made of stainless steel

Size	A	B	C	D	Order-no.
with sealing ring made of FPM					
KF DN 10	12	10	15.3	15 x 5	660120
KF DN 16	17	16	18.5	18 x 5	660124
KF DN 20	22	20	25.5	25 x 5	660121
KF DN 25	26	25	28.5	28 x 5	660125
KF DN 32	34	32	40.5	40 x 5	660122
KF DN 40	41	39	43	42 x 5	660126
KF DN 50	52	50	55.5	55 x 5	660123



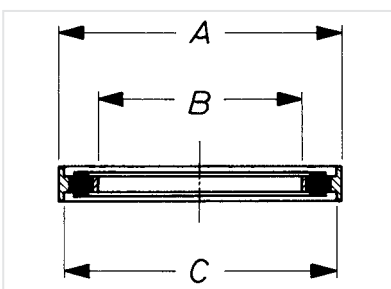
ADAPTING CENTERING RINGS FOR SMALL FLANGE KF made of stainless steel

Size	A	B	C	D	Order-no.
with sealing ring made of FPM					
KF DN 10/16	17	10	12	18 x 5	660127
KF DN 20/25	26	20	22	28 x 5	660128
KF DN 32/40	41	32	34	42 x 5	660129



CENTERING AND SEALING RINGS FOR SMALL FLANGE KF made of aluminum

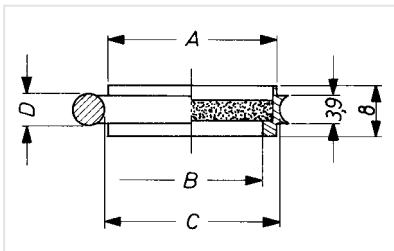
Size	A	B	C	Order-no.
with aluminum sealing ring				
KF DN 10/16	32	17.2	30.1	660140
KF DN 20/25	42	26.2	40.1	660141
KF DN 32/40	57	41.2	55.1	660142
KF DN 50	77	52.2	75.1	660143



INDIUM SEALING FOR KF - with stainless steel/aluminum centering rings (inside/outside)

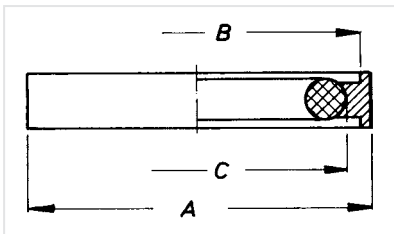
Size	A	B	C	Order-no.
KF DN 10/16	32	17.2	30.1	660150
KF DN 20/25	42	26.2	40.1	660151
KF DN 32/40	57	41.2	55.1	660152

SMALL-FLANGE COMPONENTS



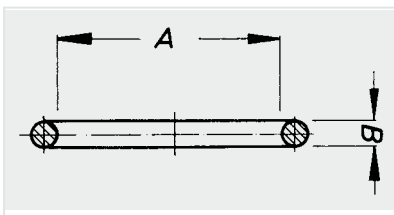
FILTER CENTERING RINGS FOR SMALL FLANGE KF made of stainless steel

Size	A	B	C	D	Order-no.
with sealing ring made of NBR					
KF DN 10	12	8	15.5	15 x 5	660160
KF DN 16	17	13	18.5	18 x 5	660161
KF DN 25	26	22	28.5	28 x 5	660162
KF DN 40	41	36	43	42 x 5	660163



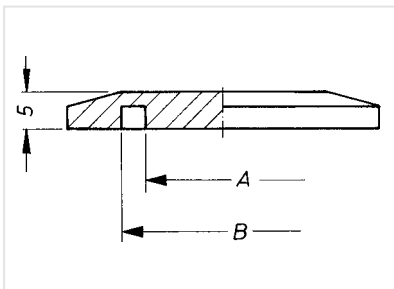
TRAPPED O-RING CENTERING RINGS FOR SMALL FLANGE KF made of PBT (not wetted)

Size	A	B	C	Order-no.
with sealing ring made of NBR				
KF DN 10/16	32	30.1	27.7	660190
KF DN 20/25	42	40.1	36.7	660191
KF DN 32/40	57	55.1	51	660192
KF DN 50	77	75.1	61	660193
with sealing ring made of FPM				
KF DN 10/16	32	30.1	27.7	660195
KF DN 20/25	42	40.1	36.7	660196
KF DN 32/40	57	55.1	51	660197
KF DN 50	77	75.1	61	660198



SPARE SEAL RINGS FOR SMALL FLANGE KF

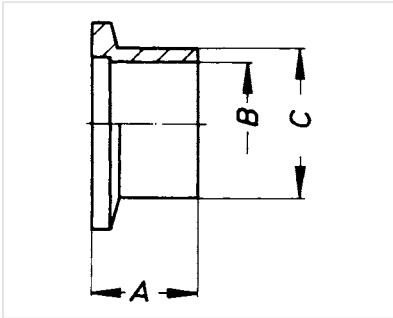
Size	A	B	Order-no.
made of NBR			
KF DN 10	15	5	660110
KF DN 16	18	5	660115
KF DN 20	25	5	660111
KF DN 25	28	5	660116
KF DN 50	55	5	660113
made of FPM			
KF DN 10	15	5	660130
KF DN 16	18	5	660135
KF DN 20	25	5	660131
KF DN 25	28	5	660136
KF DN 32	40	5	660132
KF DN 40	42	5	660137
KF DN 50	55	5	660133



BLIND SMALL FLANGES KF

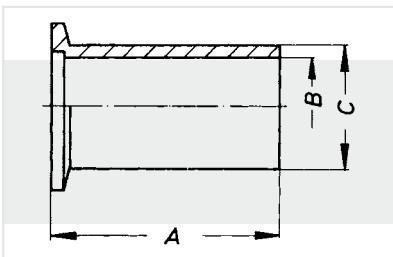
Size	A	B	Order-no.
made of aluminum			
KF DN 10	7.2	12.2	669000
KF DN 16	9.8	17.2	669004
KF DN 25	19.8	26.2	669005
KF DN 40	31.7	41.2	669006
KF DN 50	47.2	52.2	669003
made of stainless steel			
KF DN 10	7.2	12.2	671000
KF DN 16	9.8	17.2	671004
KF DN 25	19.8	26.2	671005
KF DN 40	31.7	41.2	671006
KF DN 50	47.2	52.2	671003

SMALL-FLANGE COMPONENTS



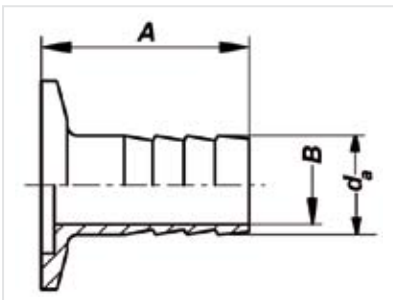
SMALL FLANGES KF WITH WELD STUB short

Size	A	B	C	Order-no.
made of stainless steel (1.4541)				
KF DN 10	16	10	14	661300
KF DN 16	16	16	20	661304
KF DN 20	20	21	25	661301
KF DN 25	20	24	28	661305
KF DN 32	25	34	38	661302
KF DN 40	25	40.5	44.5	661306
KF DN 50	25	50.6	57	661303



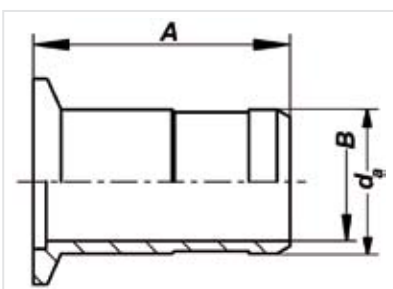
SMALL FLANGES KF WITH WELD STUB long

Size	A	B	C	Order-no.
made of stainless steel (1.4541)				
KF DN 10	52	10	14	662100
KF DN 16	52	16	20	662104
KF DN 20	55	21	25	662101
KF DN 25	55	24	28	662105
KF DN 32	58	34	38	662102
KF DN 40	58	40.5	44.5	662106
KF DN 50	58	50.6	57	662103



SMALL FLANGES KF WITH HOSE NOZZLE

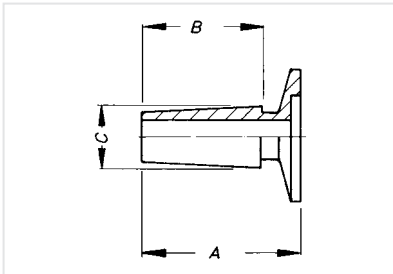
Size	A	B	d _a	Tubing ID	Order-no.
made of aluminum					
KF DN 10 / DN 6 mm	40	4	8	6	662500
KF DN 16 / DN 6 mm	40	4	8	6	662510
KF DN 16 / DN 10 mm	40	7	12	10	662511
KF DN 25 / DN 8 mm	40	6	10	8	662516
KF DN 25 / DN 10 mm	40	7	12	10	662517
KF DN 25 / DN 12 mm	40	10	15	12	662518
KF DN 25 / DN 15 mm	40	15	19	15	662519
KF DN 40 / DN 8 mm	40	6	10	8	662521
KF DN 40 / DN 10 mm	40	7	12	10	662522
KF DN 40 / DN 15 mm	40	15	19	15	662523
made of plastic PP (polypropylene)					
KF DN 16 / DN 10 mm	40	7	12	10	662806
KF DN 25 / DN 10 mm	43	7	12	10	662807
KF DN 25 / DN 15 mm	43	14	19	15	662808



SMALL FLANGES KF WITH HOSE NIPPLE

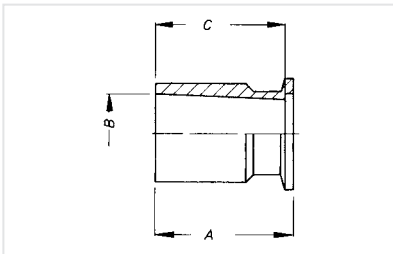
Size	A	B	d _a	Tubing ID	Order-no.
made of aluminum					
KF DN 10 / DN 12 mm	50	9	14	12	662530
KF DN 16 / DN 19 mm	50	15	20	19	662531
KF DN 25 / DN 20 mm	50	15	22	20	662532
KF DN 25 / DN 25 mm	50	23	28	25	662533
KF DN 40 / DN 25 mm	50	23	28	25	662534
KF DN 40 / DN 40 mm	50	38	43	40	662535

SMALL-FLANGE COMPONENTS



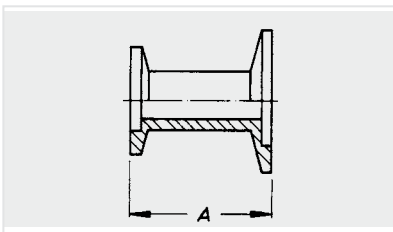
SMALL FLANGES KF WITH MALE GROUND JOINT

Size and grinding type made of stainless steel	A	B	C	Order-no.
KF DN 10 / NS 14/23	33	23	14.2	662701
KF DN 10 / NS 19/38	47.5	38	18.8	662700
KF DN 25 / NS 19/38	49	38	18.8	662704
KF DN 25 / NS 29/32	41.5	32	29.2	662705
KF DN 40 / NS 29/32	43.5	32	29.2	662706
KF DN 40 / NS 45/40	49.5	40	45	662707



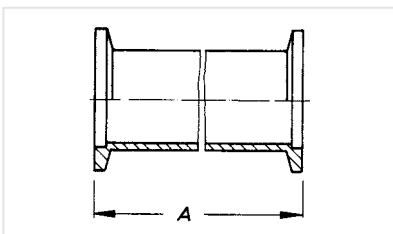
SMALL FLANGES KF WITH FEMALE GROUND JOINT

Size and grinding type made of stainless steel	A	B	C	Order-no.
KF DN 10 / NS 14/35	38	14.5	35	662800
KF DN 10 / NS 19/38	41	18.8	38	662801
KF DN 25 / NS 19/38	41	18.8	38	662802
KF DN 25 / NS 29/32	35	29.2	32	662803
KF DN 40 / NS 29/32	35	29.2	32	662804
KF DN 40 / NS 45/40	43	45	40	662805



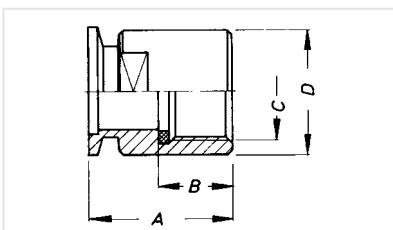
REDUCING PIECES WITH SMALL FLANGES KF

Size made of aluminum	A	Order-no.
KF DN 25/10	40	669040
KF DN 25/16	40	669041
KF DN 40/10	40	669042
KF DN 40/16	40	669043
KF DN 40/16	40	669043
Size made of stainless steel	A	Order-no.
KF DN 25/10	40	672910
KF DN 25/16	40	672911
KF DN 40/10	40	672912
KF DN 40/16	40	672913
KF DN 40/25	40	672914



VACUUM TUBING WITH SMALL FLANGES KF

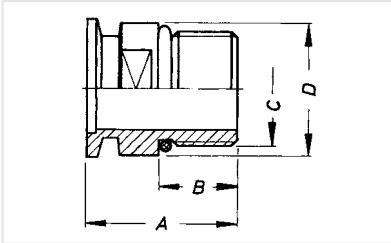
Size made of aluminum	A	Order-no.
KF DN 10	60	669010
KF DN 16	80	669014
KF DN 25	100	669015
KF DN 40	130	669016
Size made of stainless steel (flange and tube TIG welded)	A	Order-no.
KF DN 10	60	673000
KF DN 16	80	673014
KF DN 25	100	673015
KF DN 40	130	673016



SCREW-ON SMALL FLANGE KF made of stainless steel (internal thread)

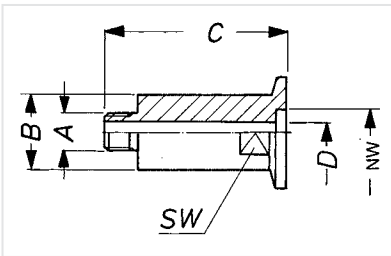
Size with sealing ring made of NBR	A	B	C	D	Order-no.
KF DN 10 / G3/8"	35	15.5	G3/8"	20	672000
KF DN 16 / G1/2"	35	16	G1/2"	25	672001
KF DN 25 / G1"	45	22	G1"	38	672002

SMALL-FLANGE COMPONENTS



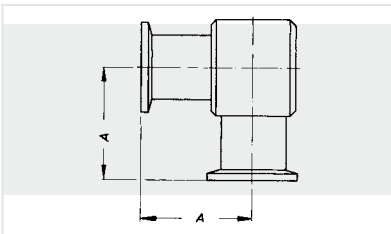
SCREW-IN SMALL FLANGES KF made of stainless steel (external thread)

Size	A	B	C	D	Order-no.
with sealing ring made of NBR					
KF DN 10 / G3/8"	35	15	G3/8"	22	672100
KF DN 16 / G1/2"	35	16	G1/2"	26	672101
KF DN 25 / G1"	45	24	G1"	39	672102



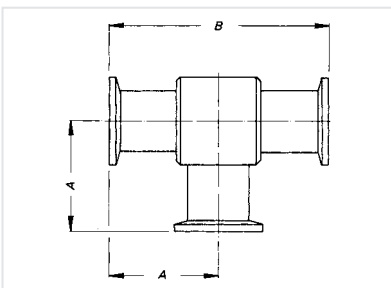
SMALL FLANGES KF WITH THREAD

Size	A	B	C	D	Order-no.
made of stainless steel					
KF DN 16 / G1/4"	G1/4"	18	41	9.5	662590
KF DN 10 / G1/8"	G1/8"	20	49	6	662600



ELBOW PIECES WITH SMALL FLANGES KF

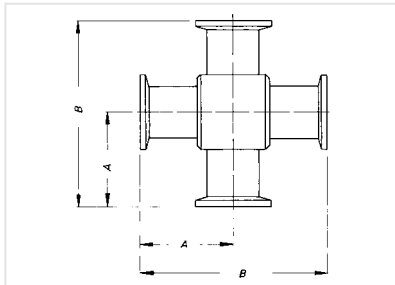
Size	A	Order-no.
made of aluminum		
KF DN 10/10	30	669400
KF DN 16/16	40	669404
KF DN 25/25	50	669405
KF DN 40/40	65	669406
made of stainless steel		
KF DN 10/10	30	673400
KF DN 16/16	40	673414
KF DN 25/25	50	673415
KF DN 40/40	65	673416



T-PIECES WITH SMALL FLANGES KF

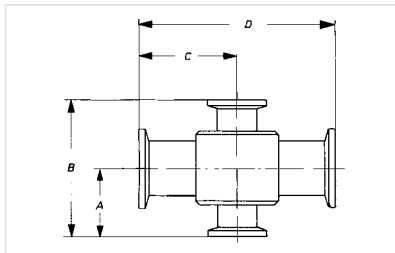
Size	A	B	Order-no.
made of aluminum			
KF DN 10/10/10	30	60	669500
KF DN 16/16/16	40	80	669504
KF DN 25/25/25	50	100	669505
KF DN 40/40/40	65	130	669506
made of stainless steel			
KF DN 10/10/10	30	60	673500
KF DN 16/16/16	40	80	673514
KF DN 25/25/25	50	100	673515
KF DN 40/40/40	65	130	673516

SMALL-FLANGE COMPONENTS



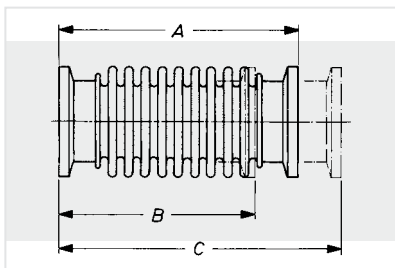
CROSS PIECES WITH SMALL FLANGES KF

Size	A	B	Order-no.
made of aluminum			
KF DN 10/10/10/10	30	60	669600
KF DN 16/16/16/16	40	80	669604
KF DN 25/25/25/25	50	100	669605
KF DN 40/40/40/40	65	130	669606
made of stainless steel			
KF DN 10/10/10/10	30	60	673600
KF DN 16/16/16/16	40	80	673614
KF DN 25/25/25/25	50	100	673615
KF DN 40/40/40/40	65	130	673616



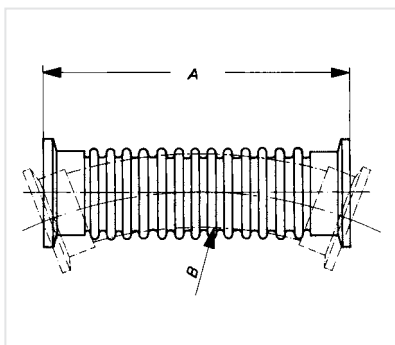
REDUCING CROSS PIECES WITH SMALL FLANGES KF

Size	A	B	C	D	Order-no.
made of aluminum					
KF DN 25/25/16/16	35	70	35	70	669608
KF DN 40/40/16/16	45	90	40	80	669609
made of stainless steel					
KF DN 25/25/10/10	35	70	50	100	673617
KF DN 40/40/10/10	45	90	65	130	673619



METAL BELLOWS WITH SMALL FLANGES KF

Size	A	B	C	Order-no.
made of stainless steel (1.4541)				
KF DN 10	74	62	86	673210
KF DN 16	74	62	86	673220
KF DN 25	88	72	104	673221
KF DN 40	113	88	138	673222

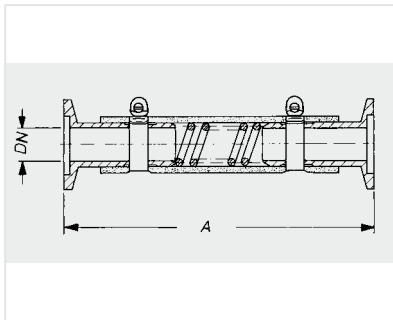


METAL VACUUM TUBINGS WITH SMALL FLANGES KF

Size	A	B: minimum bend radius for		Order-no.
		single bending	repeated bending	
made of stainless steel (1.4541)				
KF DN 10	250	18	50	673305
KF DN 10	500	18	50	673315
KF DN 10	750	18	50	673325
KF DN 10	1000	18	50	673335
KF DN 16	250	25	75	673306
KF DN 16	500	25	75	673316
KF DN 16	750	25	75	673326
KF DN 16	1000	25	75	673336
KF DN 25	250	35	100	673307
KF DN 25	500	35	100	673317
KF DN 25	750	35	100	673327
KF DN 25	1000	35	100	673337
KF DN 40	250	60	150	673308
KF DN 40	500	60	150	673318
KF DN 40	750	60	150	673328
KF DN 40	1000	60	150	673338

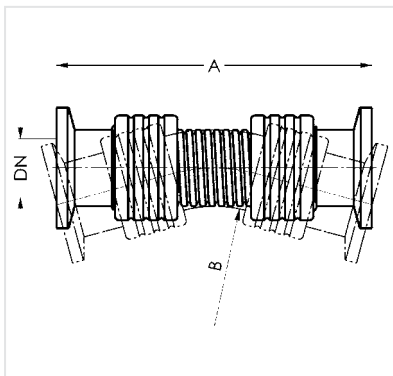
SMALL-FLANGE COMPONENTS

PVC vacuum tubings with internal spiral with small flanges KF



Size	A	Order-no.
small flanges made of aluminum, with internal stainless steel spiral		
KF DN 16	500	686010
KF DN 16	1000	686020
KF DN 25	500	686011
KF DN 25	1000	686021
KF DN 40	500	686012
KF DN 40	1000	686022

PTFE VACUUM TUBINGS with small flanges KF



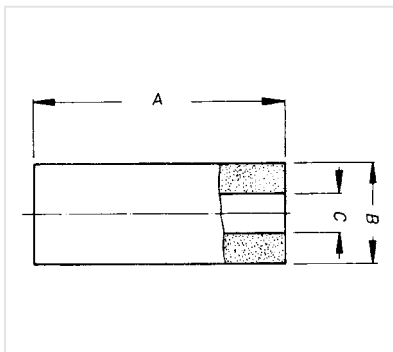
made of antistatic PTFE, flanges made of stainless steel (1.4305)

Special features:

- Ribbed only on the outside, almost smooth walls on the inside, no accumulation of liquids or particles as in corrugated hoses, high conductance due to reduced turbulences.
- Material PTFE, with excellent chemical resistance.
- Material is antistatic in conformity with the standard BS 2050:1978 with $< 10^7$ Ohm resistance between the hose inside and the flanges, preventing electrostatic charges on the inside or outside. However, the tubing may not be used for grounding equipment.

Size	A	B: minimum bend radius for		Order-no.
		single bending	repeated bending	
KF DN 16	500	150	300	686030
KF DN 16	1000	150	300	686031
KF DN 25	500	200	400	686032
KF DN 25	1000	200	400	686033

RUBBER VACUUM TUBINGS available per meter



Size	B	C	Order-no.
DN 6 mm	12	6	686000
DN 8 mm	18	8	686001
DN 10 mm	30	10	686002
DN 15 mm	35	15	686003
DN 20 mm	45	19	686005

PTFE TUBING available per meter

PTFE tubing	DN 10/8 mm	638644
-------------	------------	--------

POWER CABLES (e.g., for Peltronic™ exhaust vapor condenser and VNC 2)

Power cable CEE	612058
Power cable CH	676021
Power cable UK	676020
Power cable US	612065